

Rec35_Smart5_HDG Recloser

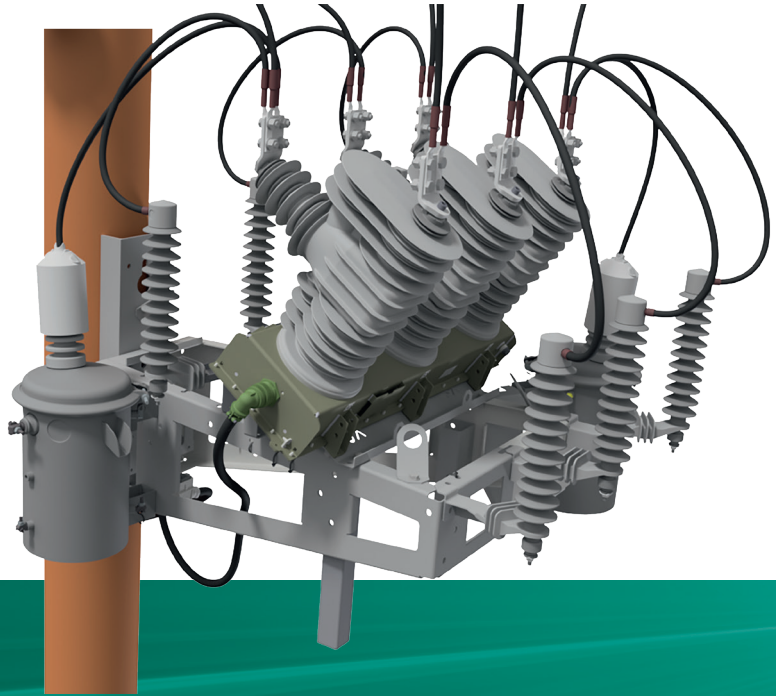
38 kV Three-Phase Gang-Operated Design

Compatible with SEL-651R

**5 YEAR
WARRANTY**



Tavrida Electric solutions ensure reliable power system operation in more than 80 countries.



The most compact 38kV recloser in the world!

- 1250A continuous rated current
- x6 voltage and x3 current sensors built in
- Fits perfect in normally open and sectionalizing applications
- Voltage sensors with 0.5% accuracy
- Magnetically actuated vacuum interrupters
- Tested to 20,000 CO operations at full load
- Maintenance free and light weight
- 5-year warranty

Tavrida Electric is a world-class manufacturer of vacuum interrupters, magnetic actuators, circuit breaker modules and automatic circuit reclosers. The Rec35_Smart5_HDG series module is a field proven, reliable and flexible system that can be used as a switch, circuit breaker, substation breaker, sectionalizer or distribution recloser.

The Rec35_Smart5_HDG series recloser is fully compatible with the SEL-651R recloser control. The six (6) on-board voltage sensors provide an accuracy of 0.5% across a broad temperature range. It allow the recloser to be installed in radial or loop scheme configuration. Radial installations can be quickly changed to a loop scheme configuration by simply reprogramming the control.



Basic Operating Parameters

Rated Data

Rated voltage (U_r), up to	38kV
Rated continuous current (I_r)	1250A
Rated power frequency withstand voltage (U_d), 1 min dry	70kV
Rated power frequency withstand voltage (U_d), 10s wet	70kV
Rated lightning impulse withstand voltage (peak) – BIL (U_p)	170kV
Rated short-circuit breaking current (I_{SC})	16kA
Rated short-circuit making current, peak	41.2kA
Rated short-time withstand current, 4s (I_k)	20kA
Rated peak withstand current (I_p)	52kA
Rated frequency	50/60Hz

Switching Performance

Mechanical life (CO cycles)	20,000
Operating cycles, rated current (CO cycles)	20,000
Electrical endurance, breaking current (CO cycles)	100
Closing time ¹	<60ms
Opening time ¹	<15ms
Break time ¹	<25ms
Rated operating sequence	Refer to control manual

Standards

International Standard	IEC 62271-100, IEC 62271-111
American Standard	IEEE C37.60

Other Data

Current Sensing	3 built-in current transformers ²
Voltage Sensing	6 built-in voltage sensors
Voltage measurement accuracy	+/-0.5%
Main contact resistance (not more than)	32 μ Ohm
Degree of protection	IP65
Weight (only switching module)	205 lbs. (95 kg)
Temperature	-40 ... 131 °F (-40 ... +55 °C)

¹ Switching module closing, opening and break times excluding control module recognition time.

² 100:1, 600:1 and 1200:1 CT ratios are available.

Recloser Components

Outdoor Switching Module

The outdoor switching module is designed for use as an automatic circuit recloser, a sectionalizer on overhead distribution lines, and as an outdoor switching module in distribution substation applications for voltages up to 38 kV.



Recloser Control

The Tavrída Electric recloser is compatible with SEL-651R MRI control.



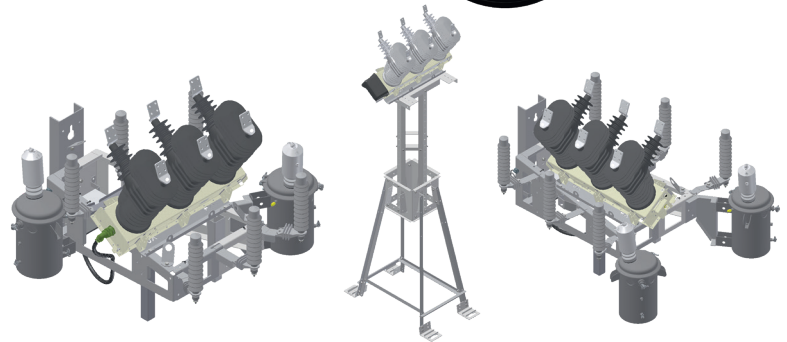
Umbilical Cable

Connection between the switching modules and the control cabinet is accomplished with an umbilical cable which can be provided in multiple lengths.



Mounting Kit

Tavrída Electric offers Hot Dip Galvanized steel pole mounting kit option with variable accessories.



Other Components



Surge arresters



Four hole NEMA pads for primary connection



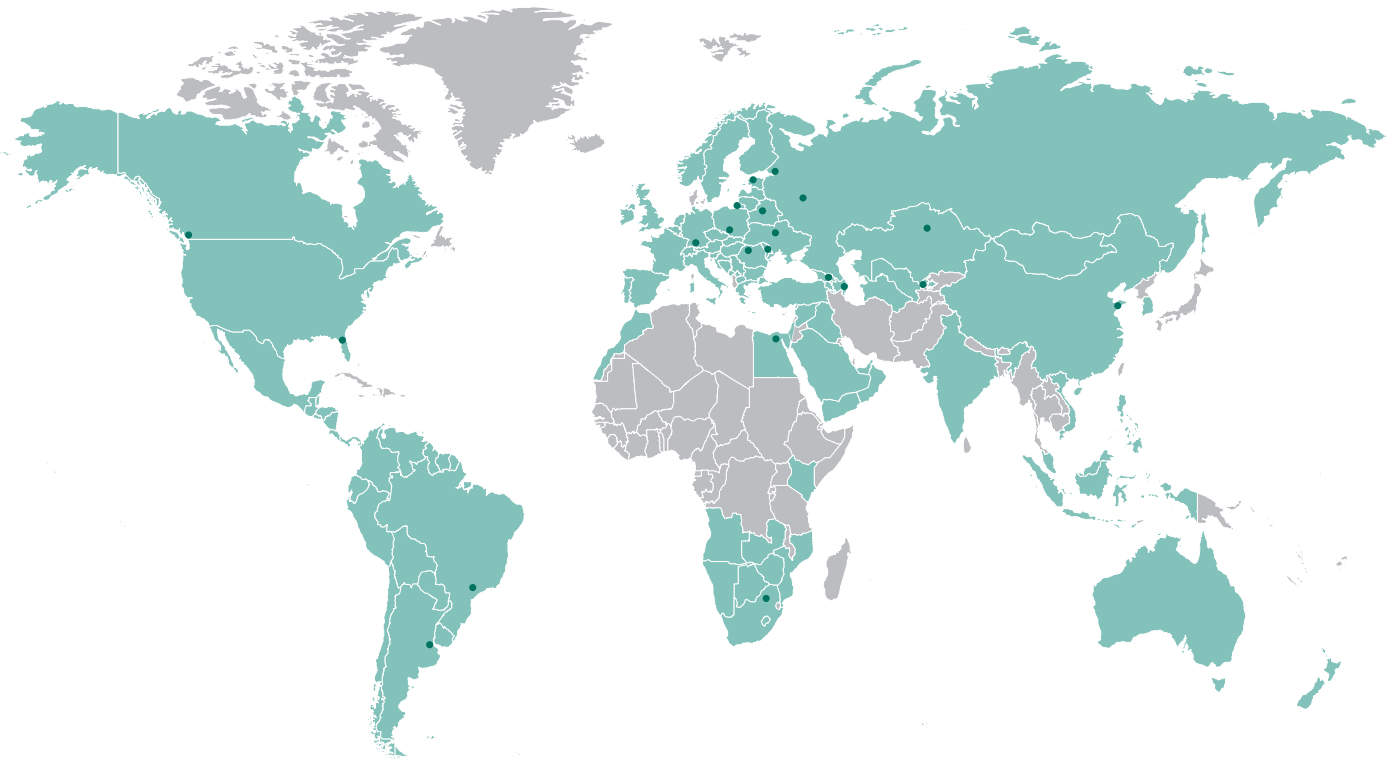
Auxiliary transformer, 2-hanger, single bushing, 120 VAC secondary, steel tank, with internal weak link and wildlife protection



Wildlife protective covers



If you would like to obtain more detailed information about our solutions or become one of our local partners, please feel free to contact us



NORTH AMERICA (USA)

Tavrida Electric North America (US) Inc.
2000 Tall Pines Dr. Suite 200
Largo, FL 33771
USA
Phone: +1 (604) 540-6604
Fax: +1 (604) 540-6604
E-Mail: info@tavrida-na.com

NORTH AMERICA (CANADA)

Tavrida Electric North America Inc.
1105 Cliveden Ave.
Delta, BC V3M 6G9
Canada
Phone: +1 (866) 551-8362
Fax: +1 (604) 540-6604
E-Mail: info@tavrida-na.com

BRAZIL

Tavrida Electric do Brasil
Av. Ireno da Silva Venâncio, 199
GP04A - Protestantes
18111-100, Votorantim / SP, Brazil
Phone: +55 (15) 3243-2555
Fax: +55 (15) 3243-4233
E-Mail: info@tavrida.com.br

EUROPE

Tavrida Electric GmbH
Im Leimen 14, 88069
88069 Tettngang,
Germany
Phone: +49 7542 94 678 51
Fax: +49 7542 94 678 61
E-mail: info@tavrida.de

SOUTH AFRICA

Tavrida Electric Africa (Pty) Ltd.
Unit 8, N12 Industrial Park,
188 Dr Vosloo Road, Bartlett,
Boksburg, 1459 South Africa
Phone: +27 (11) 9142-199
Fax: +27 (11) 9142-323
E-Mail: support@tavrida.co.za

CHINA

Tavrida Electric Qindao Co. Ltd.
No. 336, Songling Road, Laoshan District
266104 Qingdao
China
Phone: +86 (532)-55552366
Fax: +86 (532)-55552377
E-Mail: info@tavrida.cn

